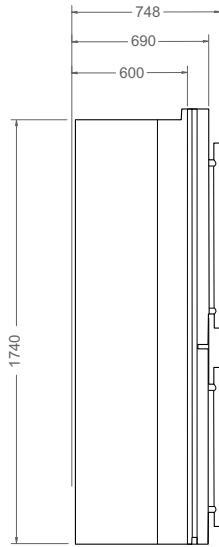
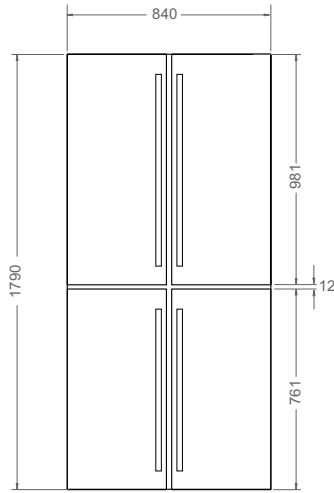


PRODUCT DIMENSIONS

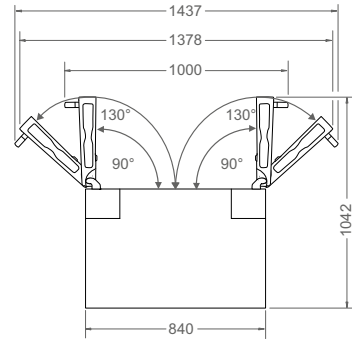
SIDE VIEW



FRONT VIEW

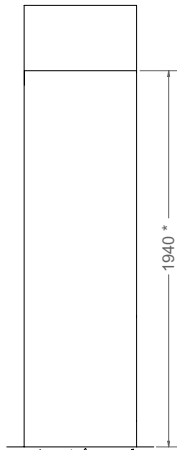


TOP VIEW



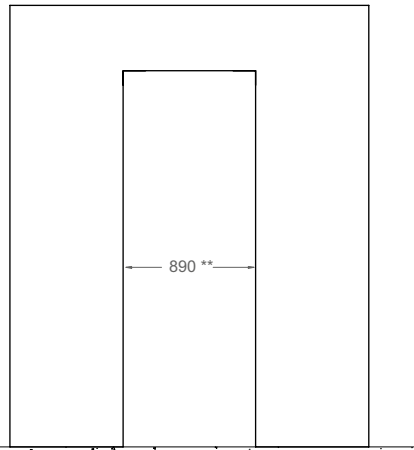
CUTOUT DIMENSIONS (Counter-depth Installation)

SIDE VIEW



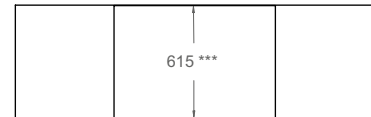
* dimension with a minimum clearance of 150 mm on the top

FRONT VIEW



** dimension with a minimum clearance of 25 mm on both sides

TOP VIEW



*** dimension with a minimum clearance of 15 mm on the back